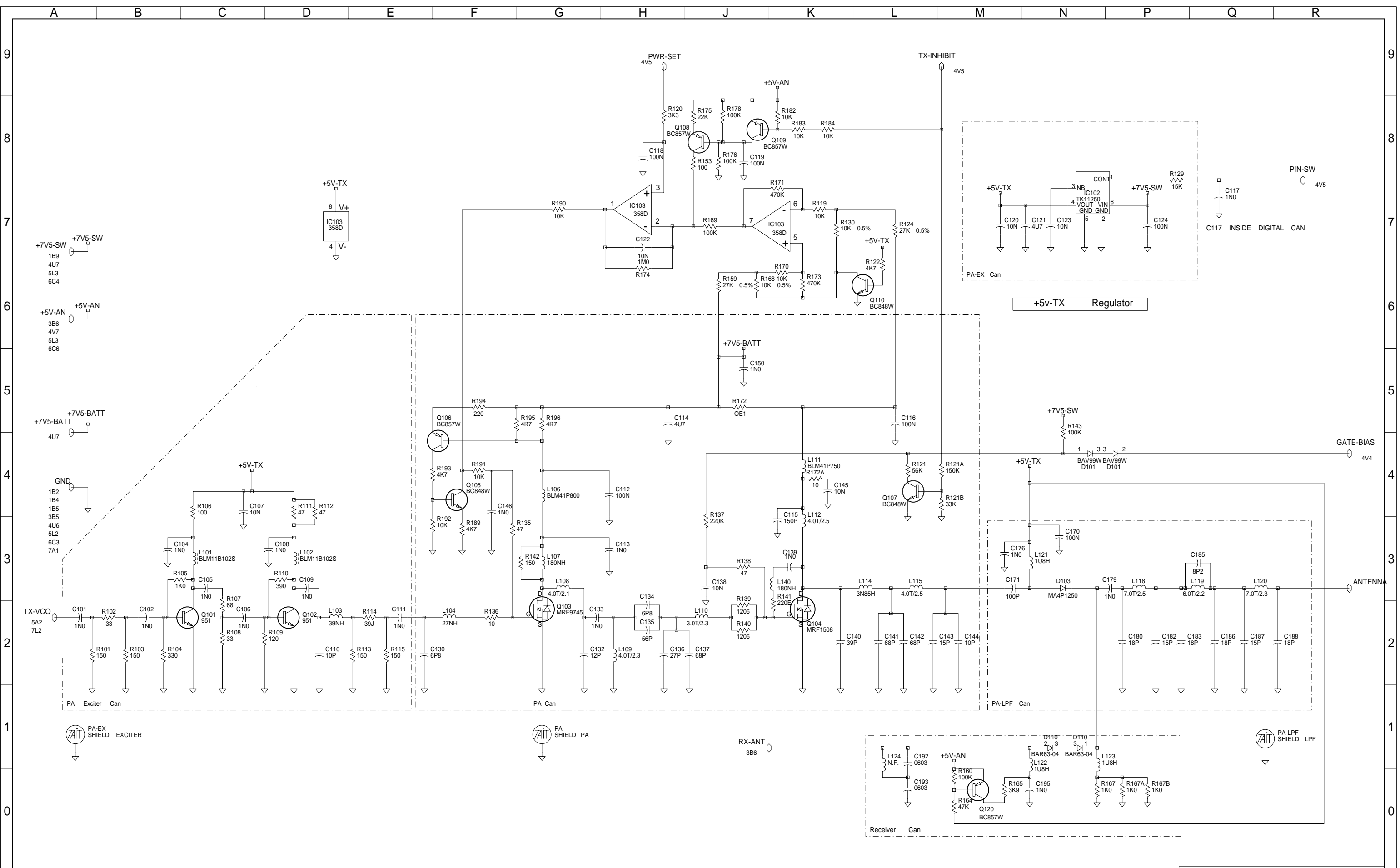


REV/ISS	AMENDMENTS	DRAWN	CHKD	D.O.	APVD	DATE
07H	CHANGE D103 TO MA4P1250.NEW PLA	ECO				18-10-99
04G	BATT & MIC SEALS NOW NON-SMD	CCO		CK		22-09-99
04F	4 SPRING PINS NOW 356-01077 SMT	CCO				13-09-99
04 E	CHANGED PASTE FOR SMALL TCXO	BRD				31-05-99
04 D	CHANGED CAN NAMES TO MATCH BAAN	BRD				19-04-99
04 A	MORE PAMODS	DBH		DBH	CI	31/03/98
03 A	UPDATE TO INCL. NEW PA LINEUP	DJW/MJ				29/04/98



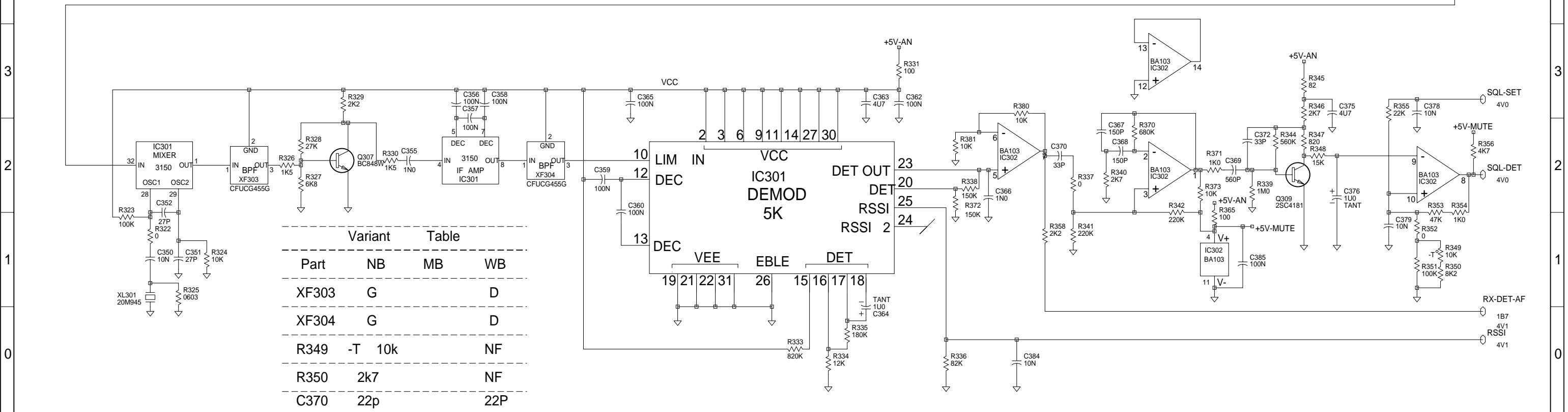
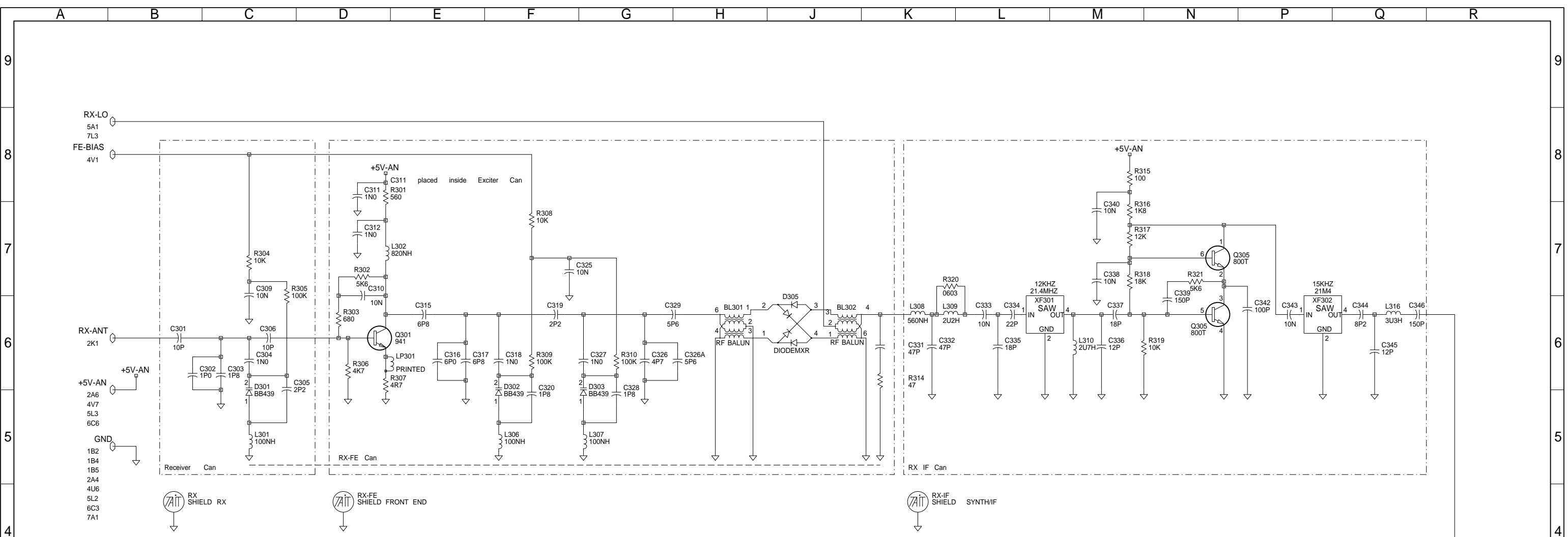
VHF
Tait Orca

TAIT ELECTRONICS	
ORCA	:TP010-3122 136-174MHZ
SYSTEM DIAGRAM	
IPN: 220-01401-04	ISSUE: H
DESIGNER: TAIT ORCA	FILE DATE: 18-Oct-99
NO. SHEETS: 7	ID: 2.S.C. 1



03A	NEW PA LINEUP (DW,BC-S,LL)	DJW			29/04/98
REV/ISS	AMENDMENTS	DRAWN	CHKD	D.O.	APVD DATE

© TAIT ELECTRONICS
 ORCA :TP010-3122 136-174MHZ
 POWER AMPLIFIER
 IPN: 220-01401-04 ISSUE: H ID: 2.S.C. 2
 PROJECT: TAIT ORCA DESIGNER: BRD/TS FILE NAME: 140104r FILE DATE: 18-Oct-99 NO.SHEETS: 7

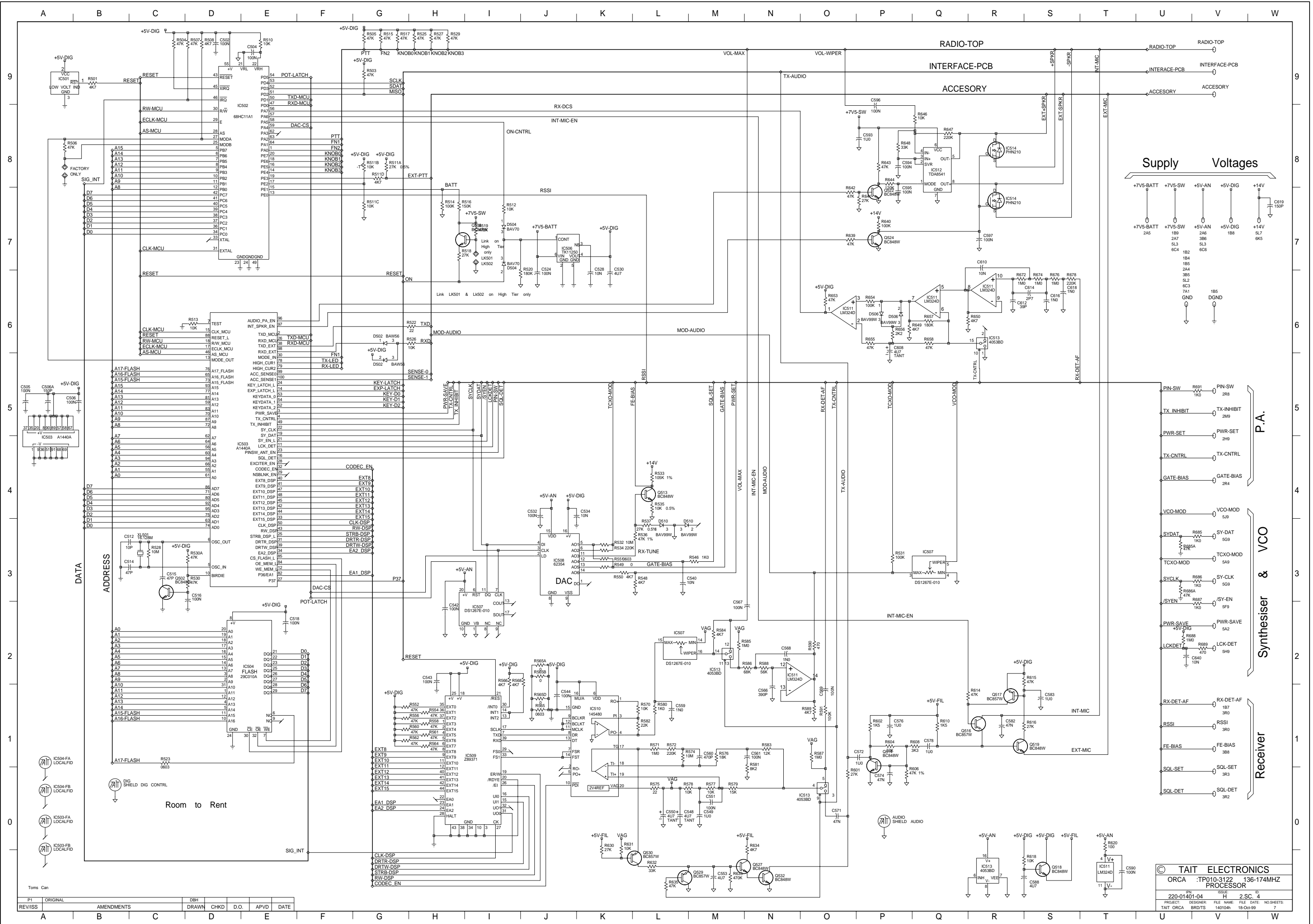


Variant Table

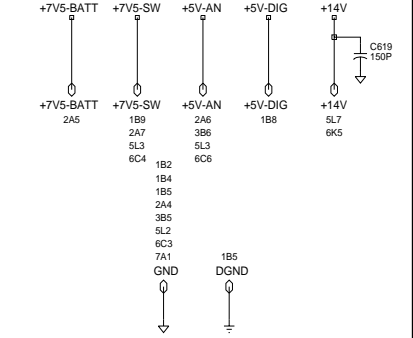
Part	NB	MB	WB
XF303	G		D
XF304	G		D
R349	-T	10k	NF
R350	2k7		NF
C370	22p		22P
C369	330P		330P

04C	500185	ROTATED TANT	C364	180	DEG	BRD			05-03-99	
03 A		COMP.VALUE CHANGES					DJW		28/04/98	
REV/ISS		AMENDMENTS				DRAWN	CHKD	D.O.	APVD	DATE

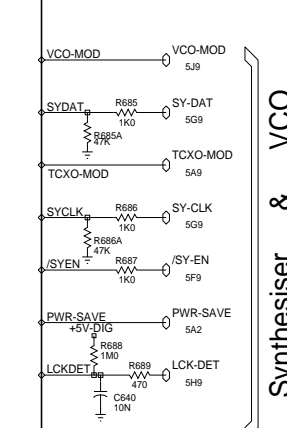
© TAIT ELECTRONICS
 ORCA :TP010-3122 136-174MHZ RECEIVER
 IPN: 220-01401-04 H 2.S.C. 3
 PROJECT: TAIT ORCA BRD/TS DESIGNER: FILE NAME: 140104h DATE: 18-Oct-99 NO.SHEETS: 7



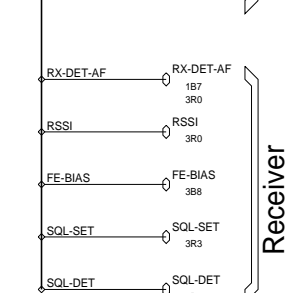
Supply Voltages



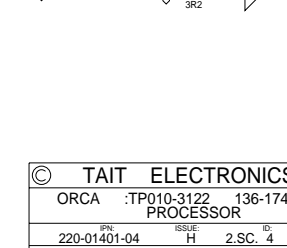
P.A.



Synthesiser & VCO

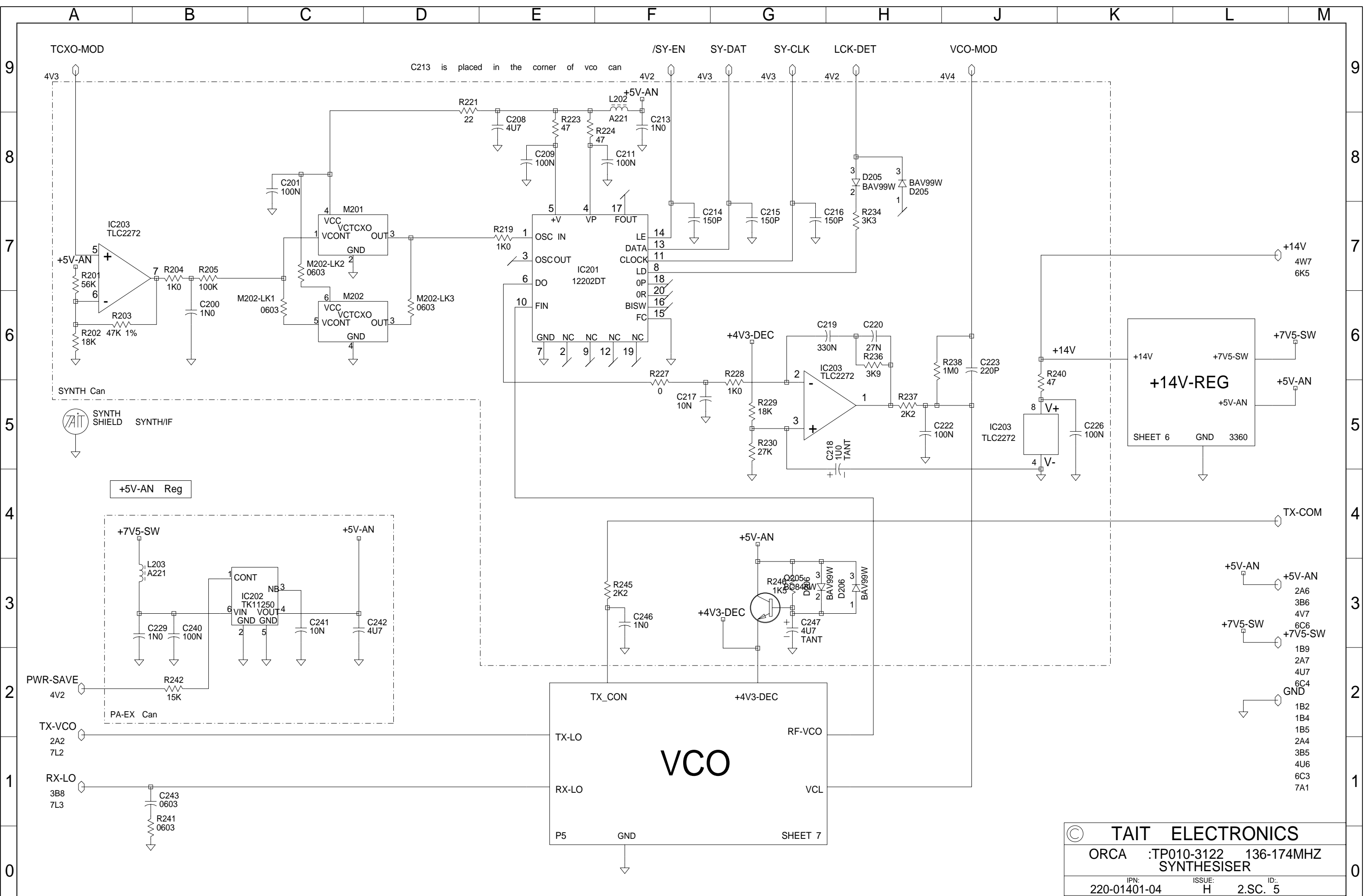


Receiver



Room to Rent

REV/ISS	ORIGINAL	AMENDMENTS	DBH	CHDK	D.O.	APVD	DATE
P1							



C213 is placed in the corner of vco can

+14V-REG
SHEET 6
GND 3360

+5V-AN Reg

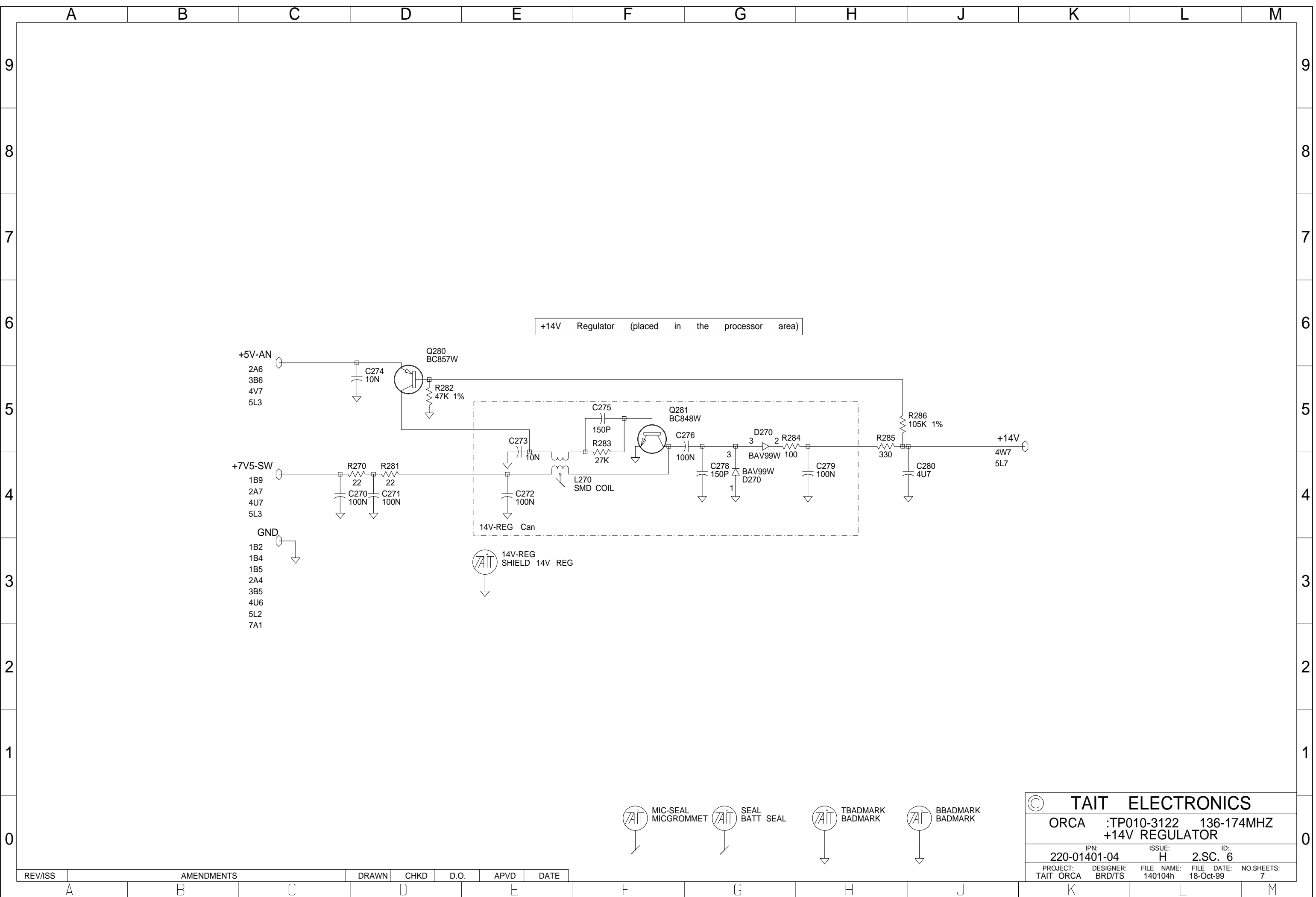
PA-EX Can
IC202 TK11250
CONT NB 3
VIN 2 VOUT 4
GND GND
C229 1N0 C240 100N
C241 10N C242 4U7
R242 15K

VCO
SHEET 7
TX-CON +4V3-DEC
TX-LO RF-VCO
RX-LO VCL
P5 GND

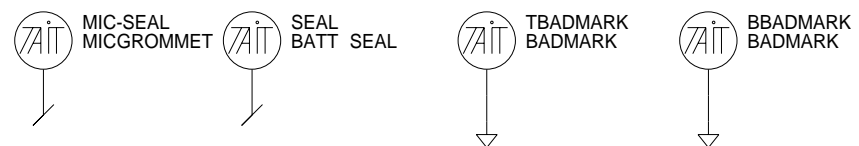
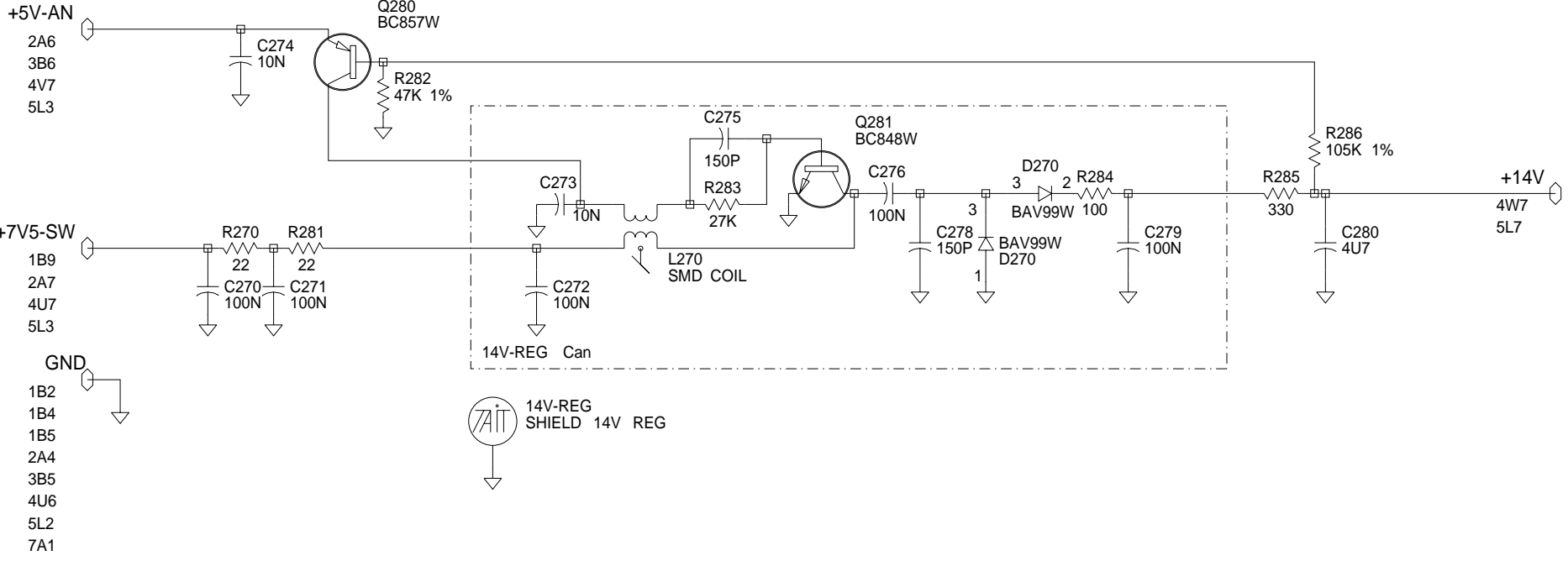
© TAIT ELECTRONICS				
ORCA	:TP010-3122	136-174MHZ	SYNTHESISER	
IPN:	220-01401-04	ISSUE:	H	ID: 2.SC. 5
PROJECT:	TAIT ORCA	DESIGNER:	BRD/TS	FILE NAME: 140104h
		FILE DATE:	18-Oct-99	NO.SHEETS: 7

REV/ISS	AMENDMENTS	DRAWN	CHKD	D.O.	APVD	DATE

- +5V-AN 2A6
- +5V-AN 3B6
- 4V7 4V7
- +7V5-SW 6C6
- +7V5-SW 1B9
- 2A7 2A7
- 4U7 4U7
- GND 6C4
- 1B2 1B2
- 1B4 1B4
- 1B5 1B5
- 2A4 2A4
- 3B5 3B5
- 4U6 4U6
- 6C3 6C3
- 7A1 7A1

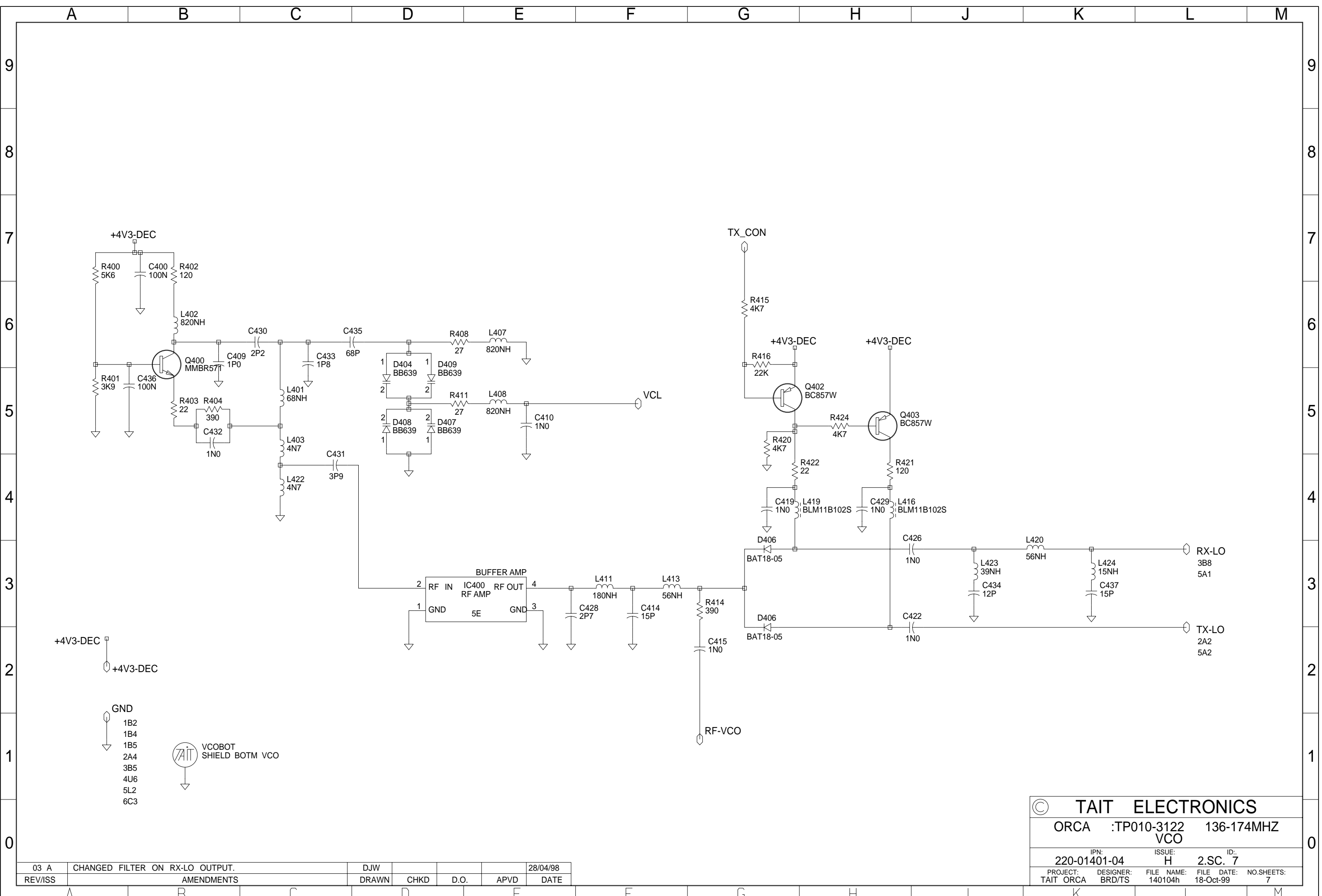


+14V Regulator (placed in the processor area)



© TAIT ELECTRONICS				
ORCA	:TP010-3122	136-174MHZ		
+14V REGULATOR				
IPN:	220-01401-04	ISSUE:	H	ID:
			2.SC.	6
PROJECT:	DESIGNER:	FILE NAME:	FILE DATE:	NO.SHEETS:
TAIT ORCA	BRD/TS	140104h	18-Oct-99	7

REV/ISS	AMENDMENTS	DRAWN	CHKD	D.O.	APVD	DATE
---------	------------	-------	------	------	------	------



© TAIT ELECTRONICS				
ORCA	:TP010-3122	136-174MHZ	VCO	
IPN:	220-01401-04	ISSUE:	H	ID: 2.SC. 7
PROJECT:	DESIGNER:	FILE NAME:	FILE DATE:	NO.SHEETS:
TAIT ORCA	BRD/TS	140104h	18-Oct-99	7

03 A	CHANGED FILTER ON RX-LO OUTPUT.	DJW				28/04/98
REV/ISS	AMENDMENTS	DRAWN	CHKD	D.O.	APVD	DATE